

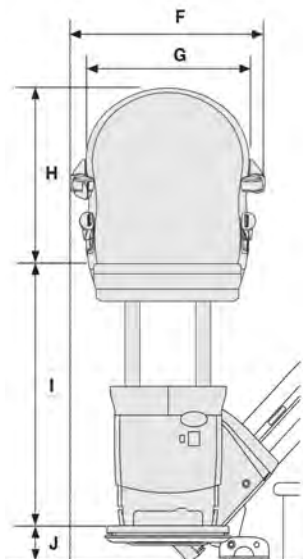
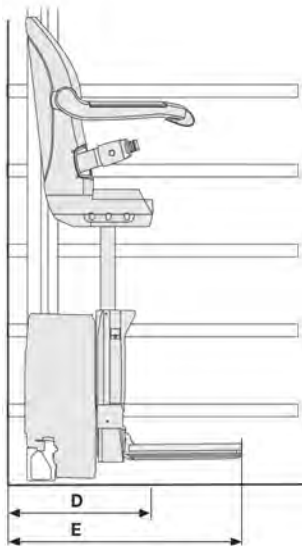
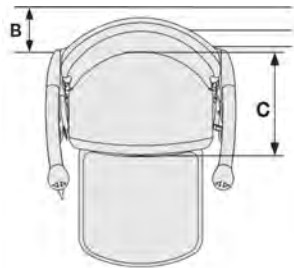


Handicare 1000 Perch

Straight Stairlifts

Handicare 1000 Perch

Straight Stairlifts



Perch seat		Dimensions
A	Minimum swivel radius*	-
B	Wall to inner seat back	2.95in
C	Seat depth	12.59in
D	Minimum folded width to footplate	15.15in
E	Minimum open width to edge footplate	25.59in
F	Armrest width – external	21.65in
G	Armrest width – internal	18.30in
H	Seat back height	17.91in
I	Footplate to seat height	26.57-34.44in
J	Minimum footplate height	2.75in
Minimum track intrusion into staircase		4.52in
Maximum weight limit		300lbs
Speed		0.07m/sec
Staircase angle		27 - 45°

*Fixed seat

Some of the above dimensions depend on the characteristics of the staircase in the home. Please consult the sales manual for further information about these dimensions and features of this seat. All information is provided in good faith but does not constitute a guarantee. Handicare reserves the right to alter designs and specifications without prior notice.

HANDICARE

10888 Metro Court St. Louis, MO 63043 | 866.891.6502 | www.handicareusa.com
81 Romina Drive Concord, ON L4K 4Z9 | 888.637.8155 | www.handicare.ca